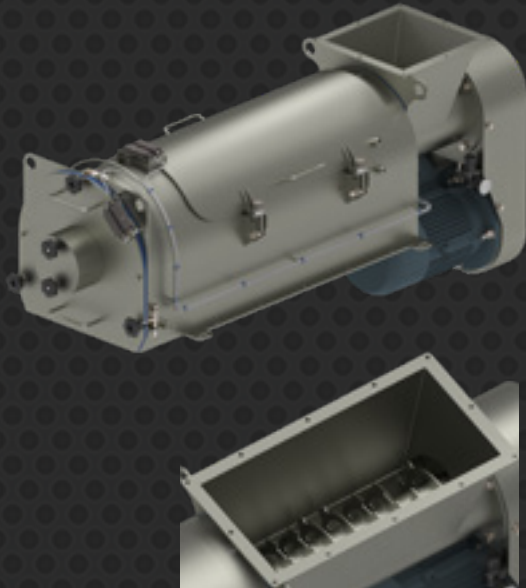


Rota Range

SM R200-ST & R200-ST-LB

Centrifugal Check Sifter with Fixed Drive Shaft Supported at Both Ends

The Rota 200-ST is the mainstay of and introductory model to the Sievmaster Rota Series. The drive shaft is supported by bearings at both ends, one of which is removed with the end door assembly to change the meshes and for cleaning. The Rota 200-ST-LB is nearly identical to the Rota 200-ST but comes with the addition of a larger sized inlet, extending the auger by 250mm and changing the auger flight to a toothed profile. The purpose of this is to improve the ability of the auger to handle product that's more difficult to break down.



INDUSTRIES



Food & Drink



Pharmaceutical



Chemical



Nutraceutical



Reclamation & Recycling



Additive Manufacturing

FEATURES

- Inlets and outlets are designed with standardised flanges but can be supplied with adaptors to suit any connection
- All motors and electrical items are IP55 rated, machine can be washed down without fear of ingress
- All doors and access points are fitted with magnetic interlock switches
- Pneumatic conveying system integration
- Dust tight design, non-vibratory
- Low maintenance/running costs
- Quick change screens with an easy clean design
- Constructed from FDA compliant materials and without crevices

TYPICAL MATERIALS

- Spices
- Cosmetics
- Seeds
- Liquid separation
- Most non-friable powders/granular products
- Flour
- Crystal sugar
- Starch
- Cocoa
- Agrochemicals/fertiliser

PRODUCT OPTIONS

Machine configurations*

- | | |
|---|---|
| • ATEX upgrade  | • Easy clean magnet assy to fines  |
| • Wedgewire mesh basket  | • Support frame static or mobile  |
| • Bonded mesh basket  | • Oversize collection barrel  |
| • Inlet transition piece  | • Fill level alarm  |
| • Fines transition piece  | • Oversize outlet control  |
| • Oversize transition piece  | |

*More options available on request

Finishes available

- Mirror polish to internal stainless parts (standard < 0.8Ra)
- Dressing of all internal/external welds - all stainless parts
- Pharma mirror polish < 0.25Ra & dressing of all internal/external welds - all stainless parts
- Passivation after polish to all stainless parts
- Vivateq/Sublimotion finish to all stainless parts
- Electropolish to all stainless parts

CERTIFIED TECHNOLOGY

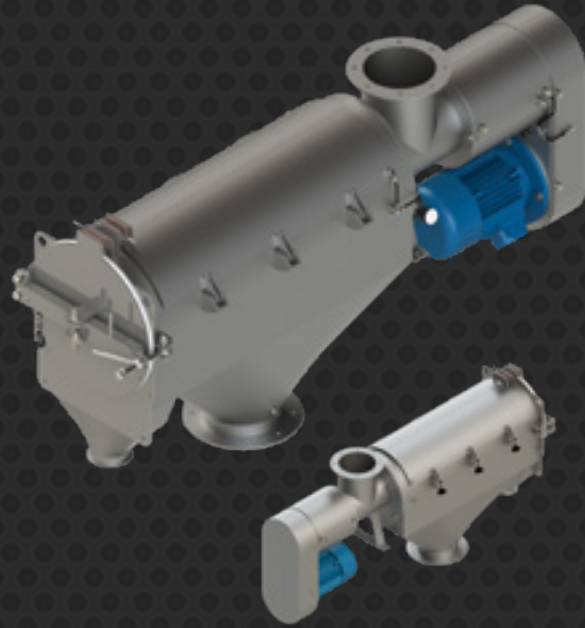


Rota Range

SM R200-C

Centrifugal Check Sifter with Cantilever Drive Shaft Support at Drive End Only

The Rota 200-C does not have a bearing at each end of the auger drive shaft, but instead has a cantilevered auger and paddle assembly. This makes it significantly quicker and easier to remove the mesh basket and auger paddle assemblies for cleaning. It also allows the oversize weir plate to be completely closed off ensuring all product will pass through the mesh.



SM sievmaster
by farleygreene

INDUSTRIES



Food & Drink



Pharmaceutical



Chemical



Nutraceutical



Reclamation & Recycling



Additive Manufacturing

FEATURES

- Inlets and outlets are designed with standardised flanges but can be supplied with adaptors to suit any connection
- All motors and electrical items are IP55 rated, machine can be washed down without fear of ingress
- All doors and access points are fitted with magnetic interlock switches
- Pneumatic conveying system integration
- Dust tight design, non-vibratory
- Low maintenance/running costs
- Quick change screens with an easy clean design
- Ø184mm inlet, a Ø200mm fines outlet and a Ø100mm oversize outlet
- Constructed from FDA compliant materials and without crevices

TYPICAL MATERIALS

- Spices
- Cosmetics
- Seeds
- Liquid separation
- Most non-friable powders/granular products
- Flour
- Crystal sugar
- Starch
- Cocoa
- Agrochemicals/fertiliser

PRODUCT OPTIONS

Machine configurations*

- ATEX upgrade



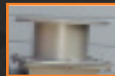
- Wedgewire mesh basket



- Bonded mesh basket



- Inlet transition piece



- Easy clean magnet assy to fines



- Support frame static or mobile



- Oversize collection barrel



- Fill level alarm



- Oversize outlet control



Finishes available

- Mirror polish to internal stainless parts (standard < 0.8Ra)
- Dressing of all internal/external welds - all stainless parts
- Pharma mirror polish < 0.25Ra & dressing of all internal/external welds - all stainless parts
- Passivation after polish to all stainless parts
- Vivateq/Sublimotion finish to all stainless parts
- Electropolish to all stainless parts

CERTIFIED TECHNOLOGY



*More options available on request

Rota Range

SM R200-Disintegrader

Centrifugal Lump Breaker with Fixed Drive Shaft Supported at Both Ends

The Rota Disintegrader also shares a significant number of its characteristics with the R200-ST. Whereas the R200-ST-LB improves on the deagglomeration capability of the R200-ST, the R200-DIST is a dedicated lump breaker. The inlet is replaced with a large wide-throated hopper, designed to be filled with product whilst the auger is inactive. After the unit has been loaded in "safe mode" the processing of the material will begin with no risk to the operator.



INDUSTRIES



Food & Drink



Pharmaceutical



Chemical



Nutraceutical



Reclamation & Recycling



Additive Manufacturing

FEATURES

- Outlets are designed with standardised flanges but can be supplied with adaptors to suit any connection
- All motors and electrical items are IP55 rated, machine can be washed down without fear of ingress
- All doors and access points are fitted with magnetic interlock switches
- 100L hopper volume with 900mm ergonomic sack tip height and hinged, self-lifting top lid to cover

- Automatic start up on lid closure
- Fines outlet measures 412mm x 600 mm, oversize outlet measures 412mm x 149 mm
- Pneumatic conveying system integration
- Fitted with sack rest table
- Dust tight design, non-vibratory
- Low maintenance/running costs
- Mobile support frame

TYPICAL MATERIALS

- Compacted dried fruits
- Biscuits for cheese cake bases
- Powder compacted by storage or conveying
- Agglomerated powders
- Fudge blocks
- Meringue
- Honeycomb

PRODUCT OPTIONS

Machine configurations*

- Deagglomeration of product (lump breaking)



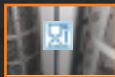
- ATEX upgrade



- Wedgewire mesh basket



- Bonded mesh basket



- Sacktip type infeed



- Fines transition piece



- Oversize transition piece



- Oversize collection barrel



- Fill level alarm



- Oversize outlet control



Finishes available

- Mirror polish to internal stainless parts (standard < 0.8Ra)
- Dressing of all internal/external welds - all stainless parts
- Pharmaceutical mirror polish <0.25Ra & dressing of all external welds
- Passivation after polish to all stainless parts
- Vivateq/Sublimation finish to all stainless parts
- Electropolish to all stainless parts

CERTIFIED TECHNOLOGY



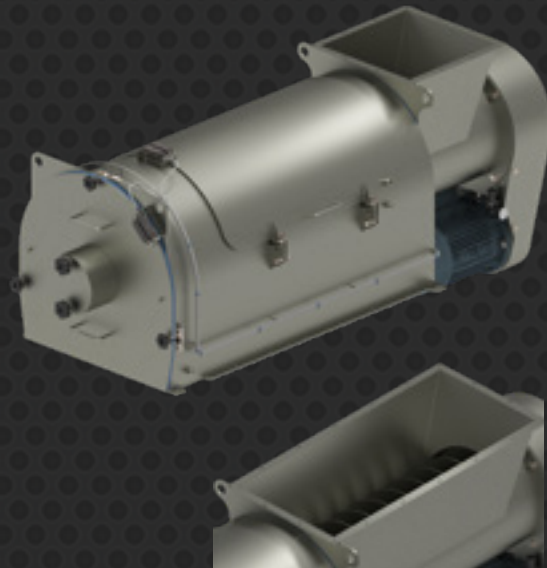
*More options available on request

Rota Range

SM R350-ST & R350-ST-LB

Centrifugal Check Sifter with Fixed Drive Shaft Supported at Both Ends

The R350-ST is the large capacity model of the Sievmaster Rota Series. The mesh baskets have a larger diameter and are slightly longer than those used on the R200 sieves. The auger also moves a much larger volume of product per revolution due to the increase in diameter. The R350-ST-LB comes with the addition of a larger sized inlet measuring 430 x 880mm, extending the auger by 450mm. The purpose of this is to improve the ability of the auger to handle product that's more difficult to break down.



SM sievmaster
by farleygreene

INDUSTRIES



Food & Drink



Pharmaceutical



Chemical



Nutraceutical



Reclamation & Recycling



Additive Manufacturing

FEATURES

- Inlets and outlets are designed with standardised flanges but can be supplied with adaptors to suit any connection
- All motors and electrical items are IP55 rated, machine can be washed down without fear of ingress
- All doors and access points are fitted with magnetic interlock switches
- Pneumatic conveying system integration
- Dust tight design, non-vibratory
- Low maintenance/running costs
- Quick change screens with an easy clean design
- Constructed from FDA compliant materials and without crevices

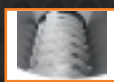
TYPICAL MATERIALS

- Spices
- Cosmetics
- Seeds
- Liquid separation
- Most non-friable powders/granular products
- Flour
- Crystal sugar
- Starch
- Cocoa
- Agrochemicals/fertiliser

PRODUCT OPTIONS

Machine configurations*

- Deagglomeration of product (lump breaking)



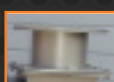
- ATEX upgrade



- Wedgewire mesh basket



- Inlet transition piece



- Fines transition piece



- Oversize transition piece



- Easy clean magnet assy to fines



- Support frame - static/mobile



- Oversize collection barrel



- Fill level alarm



- Oversize outlet control



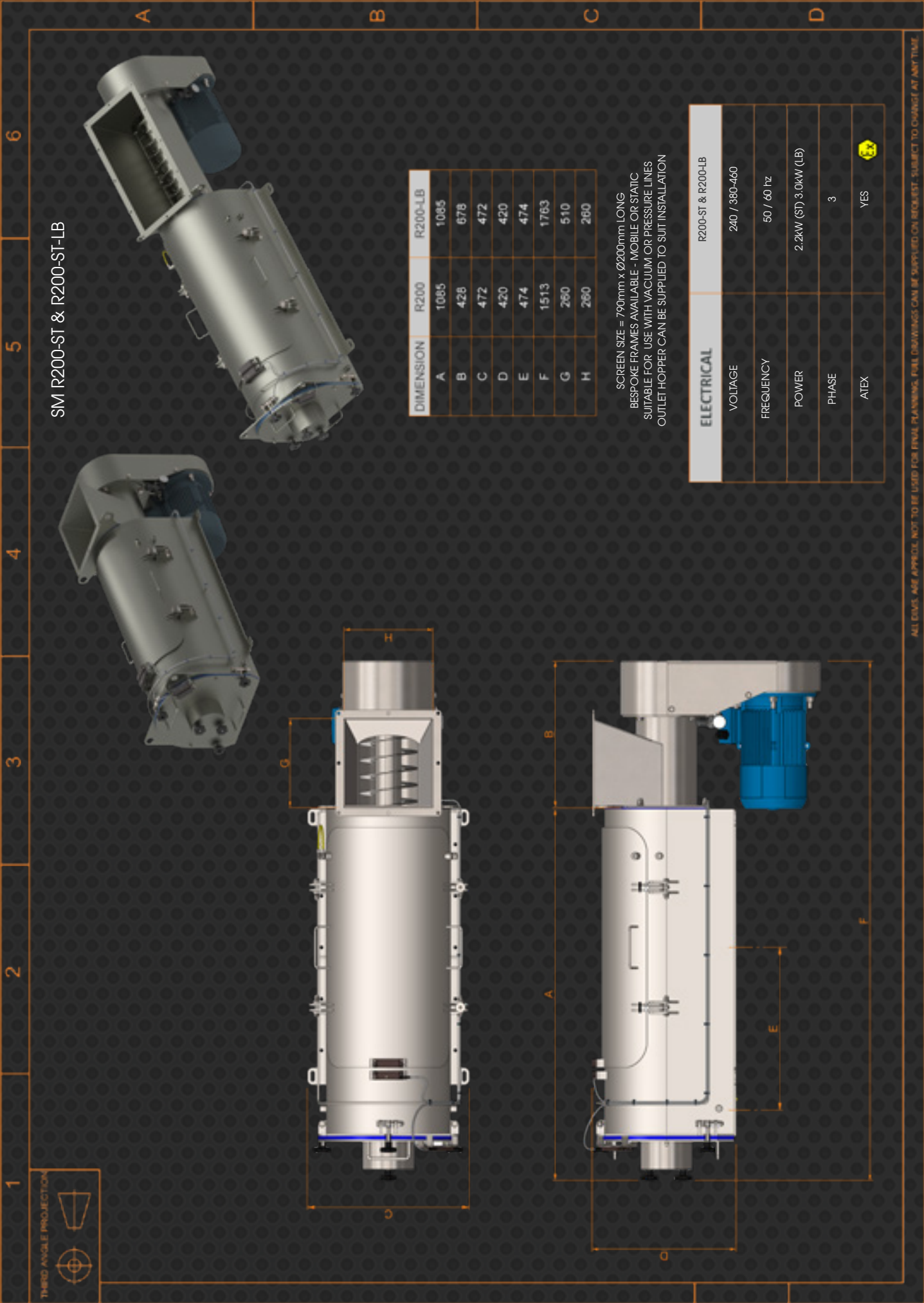
*More options available on request

Finishes available

- Mirror polish to internal stainless parts (standard < 0.8Ra)
- Dressing of all internal/external welds - all stainless parts
- Pharma mirror polish < 0.25Ra & dressing of all internal/external welds - all stainless parts
- Passivation after polish to all stainless parts
- Vivateq/Sublimotion finish to all stainless parts
- Electropolish to all stainless parts

CERTIFIED TECHNOLOGY





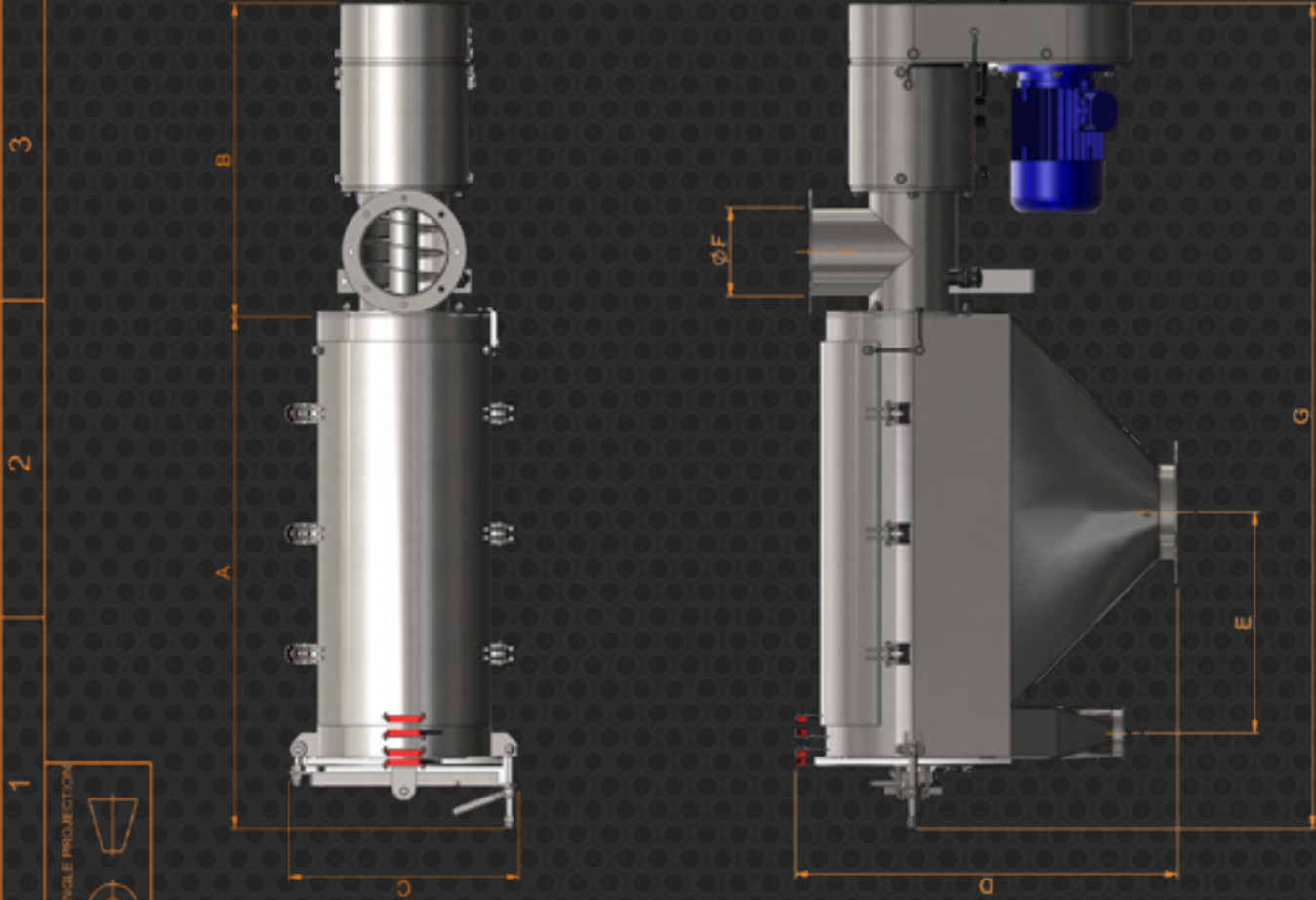
SM R200-ST & R200-ST-LB

DIMENSION	R200	R200-LB
A	1085	1085
B	428	678
C	472	472
D	420	420
E	474	474
F	1513	1763
G	260	510
H	260	260

SCREEN SIZE = 790mm x Ø200mm LONG
 BESPOKE FRAMES AVAILABLE - MOBILE OR STATIC
 SUITABLE FOR USE WITH VACUUM OR PRESSURE LINES
 OUTLET HOPPER CAN BE SUPPLIED TO SUIT INSTALLATION

ELECTRICAL	R200-ST & R200-LB
VOLTAGE	240 / 380-460
FREQUENCY	50 / 60 Hz
POWER	2.2kW (ST) 3.0kW (LB)
PHASE	3
ATEX	YES

ALL DIMS. ARE APPROX. NOT TO BE USED FOR FINAL PLANNING. FULL DRAWINGS CAN BE SUPPLIED ON REQUEST. SUBJECT TO CHANGE AT ANY TIME.



SM R200-C



DIMENSION	R200-C
A	1064
B	652
C	480
D	795
E	460
F	180
G	1716

SCREEN SIZE = 790mm x Ø200mm LONG
 BESPOKE FRAMES AVAILABLE - MOBILE OR STATIC
 SUITABLE FOR USE WITH VACUUM OR PRESSURE LINES
 OUTLET HOPPER CAN BE SUPPLIED TO SUIT INSTALLATION

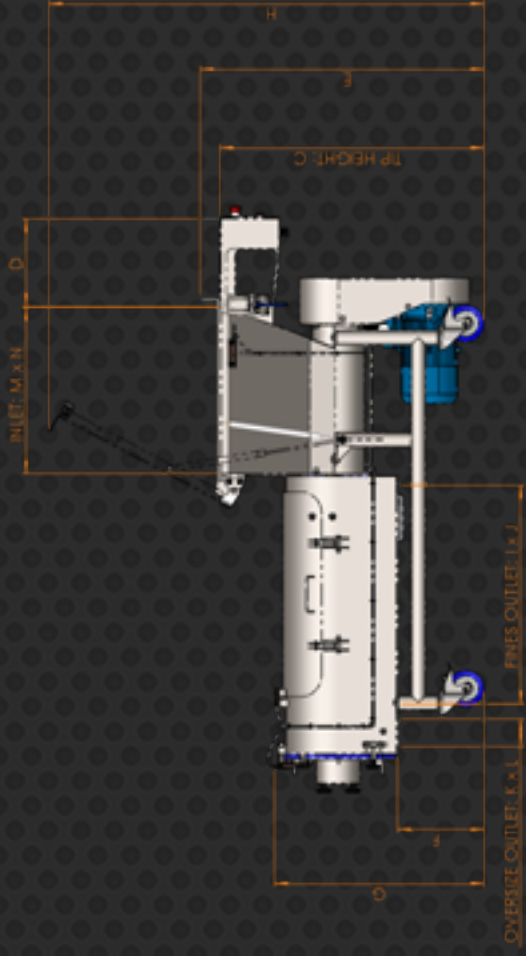
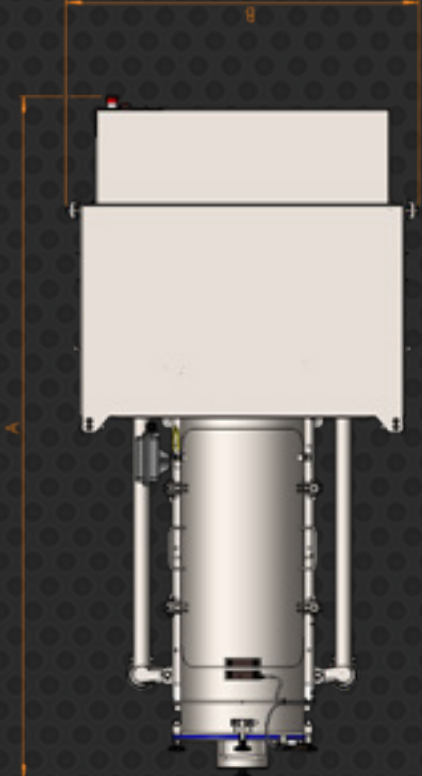
ELECTRICAL	R200-C
VOLTAGE	240 / 380-460
FREQUENCY	50 / 60 hz
POWER	2.2 kW
PHASE	3
AEX	YES 

ALL DIMS. ARE APPROX. NOT TO BE USED FOR FINAL PLANNING. FULL DRAWINGS CAN BE SUPPLIED ON REQUEST. SUBJECT TO CHANGE AT ANY TIME.

THIRD ANGLE PROJECTION



SM R200-DISINTEGRADER



DIMENSION	VALUE
A	2010
B	1005
C	900
D	300
E	970
F	295
G	715
H	1490
I	749
J	356
K	94
L	308
M	570
N	825

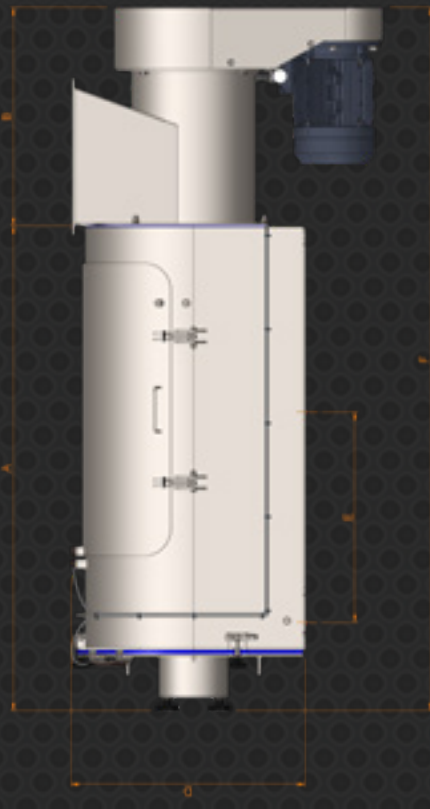
SCREEN SIZE = 790mm x Ø200mm LONG
 BESPOKE FRAMES AVAILABLE - MOBILE OR STATIC
 SUITABLE FOR USE WITH VACUUM OR PRESSURE LINES
 OUTLET HOPPER CAN BE SUPPLIED TO SUIT INSTALLATION

ELECTRICAL	R200-DST
VOLTAGE	240 / 380-460
FREQUENCY	60 / 60 hz
POWER	3.0kW
PHASE	3
ATEX	YES

ALL DIMS. ARE APPROX. NOT TO BE USED FOR FINAL PLANNING. FULL DRAWINGS CAN BE SUPPLIED ON REQUEST. SUBJECT TO CHANGE AT ANY TIME.



SM R350-ST & R350-ST-LB



DIMENSION	R350	R350-LB
A	1327	1327
B	597	1047
C	655	655
D	640	640
E	576	576
F	1924	2374
G	380	830
H	380	380

ELECTRICAL	R350 & R350-LB
VOLTAGE	240 / 380-460
FREQUENCY	50 / 60 hz
POWER	4.0 kW
PHASE	3
ATEX	YES

SCREEN SIZE = 990mm x Ø350mm LONG
 BESPOKE FRAMES AVAILABLE - MOBILE OR STATIC
 SUITABLE FOR USE WITH VACUUM OR PRESSURE LINES
 OUTLET HOPPER CAN BE SUPPLIED TO SUIT INSTALLATION