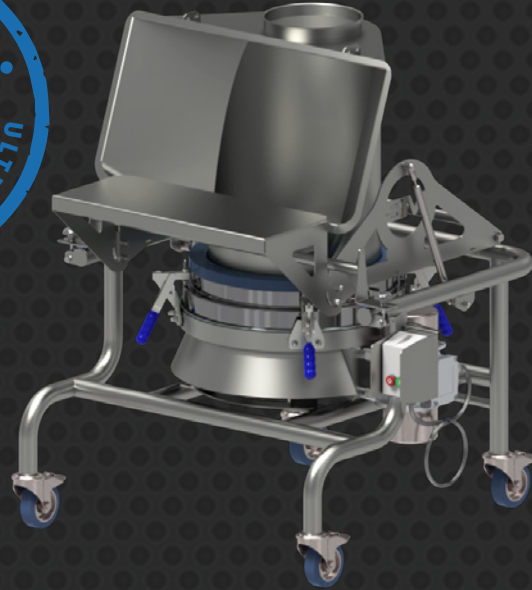


Slimline Easilift Range

SM 550-ESL-ULTRA

Ultra Hygienic Sack Tipping Check Screener

The Sievmaster Easilift Ultra sack tip station has been designed primarily for the food industry where hygiene is of prime importance. Similar to the standard Easilift, the Ultra version also features a pneumatically assisted dust hood but is completely crevice free. A fold out sack table ensures a hygiene barrier between sanitary and non-sanitary environments, and a side mount motor improves user access. Used in combination with the Slimline check screener, this machine can process up to 25kg worth of powder at once, dispensing into containers, static weigh bins or incorporated into convey systems.



INDUSTRIES



Food & Drink



Pharmaceutical



Chemical



Nutraceutical



Reclamation & Recycling



Additive Manufacturing

FEATURES



- Reduced frame area for greater outlet access
- Integrated dust extraction ready
- Pneumatically assisted hood – no heavy lifting or awkward sleeve connections
- Quick release door catch and interlock switch ready
- Constructed from FDA compliant materials
- Inlet door seal for dust suppression and wet in place
- No tool, quick change screens
- Dust & hose proof IP67
- Crevice free for easy cleaning

TYPICAL MATERIALS

- Spices
- Cosmetics
- Seeds
- Liquid separation
- Pharmaceutical powders
- Most powders/ granular products
- Flour
- Crystal sugar
- Starch
- Cocoa
- Wet or dry applications

PRODUCT OPTIONS

Machine configurations*

- Removal of front door 
- Connection to vacuum transfer system 
- Addition of under screen magnet assy 
- 304SS tubular handles to clamps 
- Safety interlock 
- Fluidisation to funnel cone 

- Dusthood assy in 316SS 
- Support frame in 316SS 
- Dust suppression cover 
- Local dust extraction - Electric / vacuum 
- Step with platform 
- Ultrasonic upgrade 

*More options available on request

Finishes available

- Dressing of all external welds
- Pharma mirror polish < 0.25Ra & dressing of all external welds
- Passivation after polish
- WIP / CIP cleaning to dusthood and sieve
- Upgrade from earth clips to external direct mesh earthing system

CERTIFIED TECHNOLOGY



1

2

3

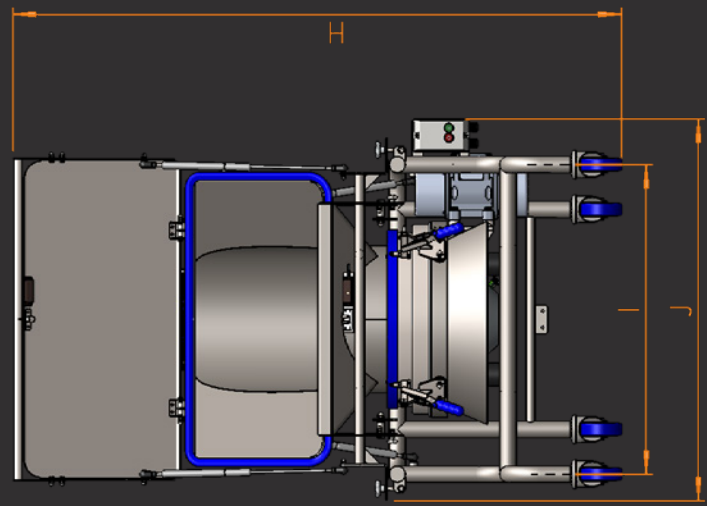
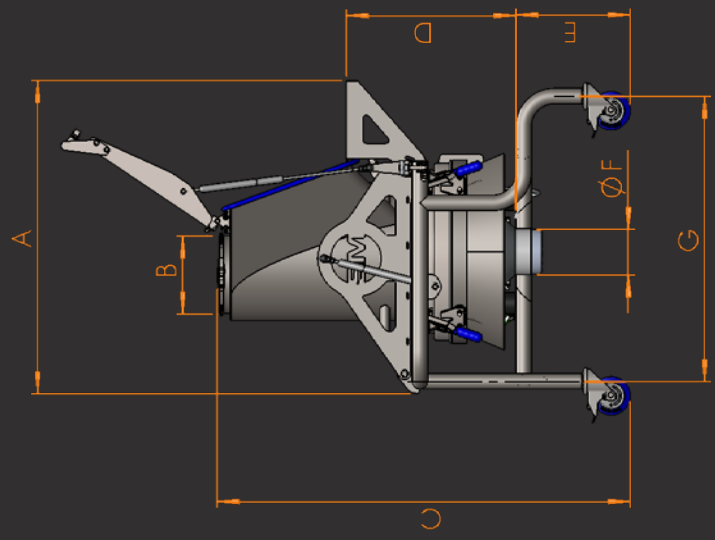
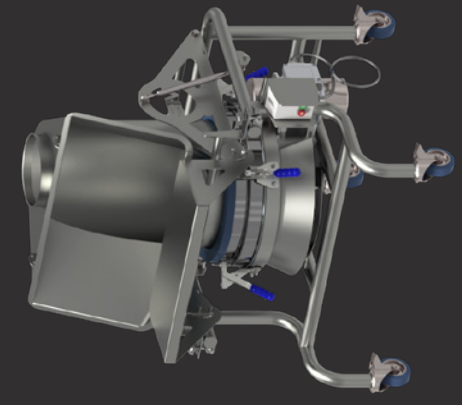
4

5

6



SM EASILIFT 550 ULTRA



DIMENSION	SM 550-ESL-U
A	1025
B	250
C	1355
D	560
E	300-1000
F	150-300
G	935
H	1870
I	950
J	1170

SCREEN DIAMETER = 565mm

**FOR OUTLET HEIGHTS OVER 450/300mm STEP MAY BE REQUIRED

*AVAILABLE WITH OUTLET SUITABLE FOR CONNECTION TO VACUUM LINE

ELECTRICAL	SM 550 ESL-U
VOLTAGE	110 / 240 / 380-460
FREQUENCY	50 / 60 Hz
POWER	0,3 kW
PHASE	1 / 3
ATEX	YES