

Product Specification

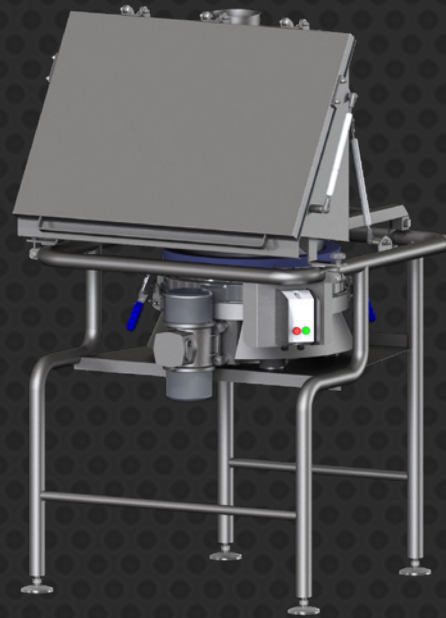
Slimline Easilift Range

SM 550-ESL

Sack Tipping Check Screener

The Sievmaster Easilift sack tipping station has been designed with a Pneumatically assisted hood for easy access to the sieve without heavy lifting. Used together with the Slimline vibratory check screener, this machine features an inclined sack rest table for low level bag tipping.

Standard 25kg bags of product can be dispensed directly in to the sieve for check screening into containers, static weigh bins, convey systems or mixers.



SM sievmaster
by farleygreene

INDUSTRIES



Food & Drink



Pharmaceutical



Chemical



Nutraceutical



Reclamation & Recycling



Additive Manufacturing

FEATURES

- Connection to vacuum transfer systems or any other convey equipment
- Pneumatically assisted hood - no heavy lifting or awkward sleeve connections
- Standard 900mm ergonomic sack tipping height
- Low care to High care transfer systems available
- Integrated dust extraction and filtration units
- Inlet enclosure doors
- No tool, quick change screens
- Easy clean design, no crevices
- Dust & hose proof IP67
- Noise level less than 70 dBA when in use

TYPICAL MATERIALS

- Spices
- Cosmetics
- Seeds
- Liquid separation
- Pharmaceutical powders
- Most powders/ granular products
- Flour
- Crystal sugar
- Starch
- Cocoa
- Wet or dry applications

PRODUCT OPTIONS

Machine configurations*

- Removal of front door



- Connection to vacuum transfer system



- Addition of underscreen magnet assy



- 304SS tubular handles to clamps



- Safety interlock on sieve & dusthood



- Fluidisation to funnel cone



- Dusthood assy in 316SS



- Support frame in 316SS



- Dust suppression cover



- Local dust extraction - Electric / vacuum



- Step with platform



- Ultrasonic upgrade



Finishes available

- Dressing of all external welds
- Pharmaceutical mirror polish <0.25Ra & dressing of all external welds
- Passivation after polish
- WIP / CIP cleaning to dusthood and sieve
- Upgrade from earth clips to external direct mesh earthing system

CERTIFIED TECHNOLOGY



*More options available on request

Product Specification

Slimline Easilift Range

SM 950-ESL

Sack Tipping Check Screener for Large Volume Requirements

The Sievmaster Easilift sack tipping station has been designed with a Pneumatically assisted hood for easy access to the sieve without heavy lifting. Used together with the Slimline vibratory check screener, this machine features an inclined sack rest table for low level bag tipping.

Standard 25kg bags of product can be dispensed directly in to the sieve for check screening into containers, static weigh bins, convey systems or mixers.



SM sievmaster
by farleygreene

INDUSTRIES



Food & Drink



Pharmaceutical



Chemical



Nutraceutical



Reclamation & Recycling



Additive Manufacturing

FEATURES

- Connection to vacuum transfer systems or any other convey equipment
- Pneumatically assisted hood - no heavy lifting or awkward sleeve connections
- Low care to High care transfer systems available
- Standard 900mm ergonomic sack tipping height
- Integrated dust extraction and filtration units
- Inlet enclosure doors
- No tool, quick change screens
- Easy clean design, no crevices
- Dust & hose proof IP67
- Noise level less than 70 dBA when in use

TYPICAL MATERIALS

- Spices
- Cosmetics
- Seeds
- Liquid separation
- Pharmaceutical powders
- Most powders/ granular products
- Flour
- Crystal sugar
- Starch
- Cocoa
- Wet or dry applications

PRODUCT OPTIONS

Machine configurations*

- | | |
|--|---|
| • Removal of front door  | • Dusthood assy in 316SS  |
| • Connection to vacuum transfer system  | • Support frame in 316SS  |
| • Easy clean drawer magnet assy  | • Dust suppression cover  |
| • 304SS tubular handles to clamps  | • Local dust extraction - Electric / vacuum  |
| • Safety interlock on sieve & dusthood  | • Step with platform  |
| • Fluidisation to funnel cone  | • Ultrasonic upgrade  |

Finishes available

- Dressing of all external welds
- Pharmaceutical mirror polish <0.25Ra & dressing of all external welds
- Passivation after polish
- WIP / CIP cleaning to dusthood and sieve
- Upgrade from earth clips to external direct mesh earthing system

CERTIFIED TECHNOLOGY



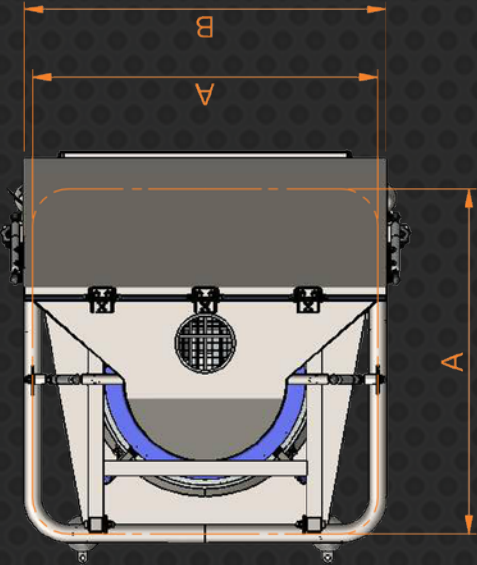
*More options available on request

1

THIRD ANGLE PROJECTION



2



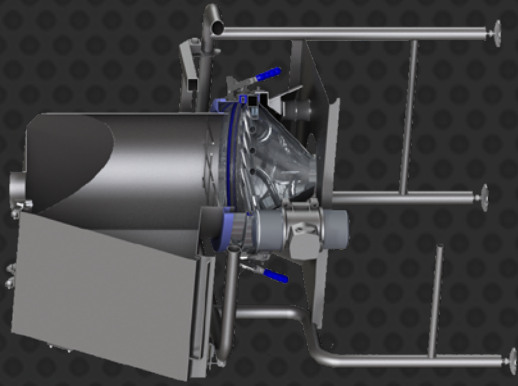
3

4

5

6

SM EASILIFT 550 & 950



A

B

C

D

DIMENSION	SM-ESL-550 (mm)	SM-ESL-950 (mm)
A	1060	1300
B	1000	1260
C	150	150
D	150 - 300*	150 - 400*
E	610	610
F	510	632
G	300 - 1000*	300 - 1000*
H	900	1100

SCREEN DIAMETER = 565mm & 995mm

**FOR OUTLET HEIGHTS OVER 450/300mm STEP MAY BE REQUIRED

*AVAILABLE WITH OUTLET SUITABLE FOR CONNECTION TO VACUUM LINE

ELECTRICAL	SM-ESL-550	SM-ESL-950
VOLTAGE	110 / 240 / 380-460	110 / 240 / 380-460
FREQUENCY	50 / 60 Hz	50 / 60 Hz
POWER	0.35 kW	0.9 kW
PHASE	1 / 3	1 / 3
ATEX	YES 	YES 

 ϕC

F

F

 ϕD

G

H