

Artisan Range

SM E-400-STV

A Modular Check Sieve with Sack Tip Configuration

The E-400 is a highly flexible and efficient solution for lower volume requirements. Primarily aimed at the food and chemicals market, this modular unit can be adapted to meet requirements as they change, or fit different points in a process.

The E-400's mobile design means it can be easily adapted by the user for check screening, grade sieving or low volume sack tipping.

This model is the sack tip variant.



INDUSTRIES



Food & Drink



Pharmaceutical



Chemical



Nutraceutical



Reclamation & Recycling



Additive Manufacturing

FEATURES





- This unit can utilise the GRV components to become a grading unit with no other modifications
- Constructed from FDA compliant materials
- Low maintenance / running costs
- No tool, quick change screens
- Noise level less than 70 dBA when in use
- All stainless steel contact parts
- Mobile support frame
- Easy clean design, no crevices
- Bag cut out and internal sack rest grid




TYPICAL MATERIALS

- Spices
- Cosmetics
- Seeds
- Most powders/ granular products
- Flour
- Crystal sugar
- Starch
- Cocoa
- Liquids

PRODUCT OPTIONS

Machine configurations*

- Addition of oversize outlet to top gallery c/w oversize control scroll 
- Addition of extra deck with outlet, internal cone, mesh ring, clamp & gasket 
- Standalone dust extractor 
- Operator platform 

- Mesh debinding - mechanical 
- Addition of underscreen magnet assy 
- Outlet sleeve 

*More options available on request

Finishes available

- Mirror polish to internal surfaces

CERTIFIED TECHNOLOGY



Artisan Range

SM E-400-GRV

A Modular Check Sieve with Grading Configuration

The E-400 is a highly flexible and efficient solution for low volume requirements. Primarily aimed at the food and chemicals market, this modular unit can be adapted to meet requirements as they change, or fit different points in a process.

The E-400's mobile design means it can be easily adapted by the user for check screening, grade sieving or low volume sack tipping.

This particular model is the grading variant.



INDUSTRIES



Food & Drink



Pharmaceutical



Chemical



Nutraceutical



Reclamation & Recycling



Additive Manufacturing

FEATURES

- This unit can utilise the STV components to become a sack tipping unit with no other modifications
- Constructed from FDA compliant materials
- Low maintenance / running costs
- No tool, quick change screens

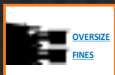
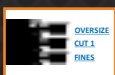


- Noise level less than 70 dBA when in use
- All stainless steel contact parts
- Mobile support frame
- Easy clean design, no crevices
- Sieve straight into tote bins, drums or bags



TYPICAL MATERIALS

- Spices
- Cosmetics
- Seeds
- Most powders/ granular products
- Flour
- Crystal sugar
- Starch
- Cocoa
- Liquids

PRODUCT OPTIONS

Machine configurations*

- Continuous processing of 2 fractions - oversize/fines 
- Continuous processing of 3 fractions - oversize/cut 1/ fines 
- Outlet flexible connection sleeve 
- Addition of underscreen magnet assy 

- Mesh deblinding - mechanical 
- Mesh deblinding - ultrasonic 

*More options available on request

Finishes available

- Mirror polish to internal surfaces

CERTIFIED TECHNOLOGY

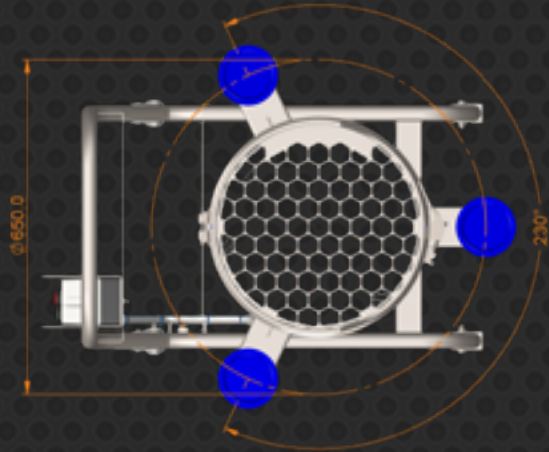


1

THIRD ANGLE PROJECTION



2



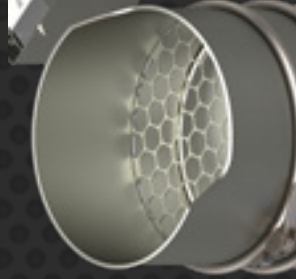
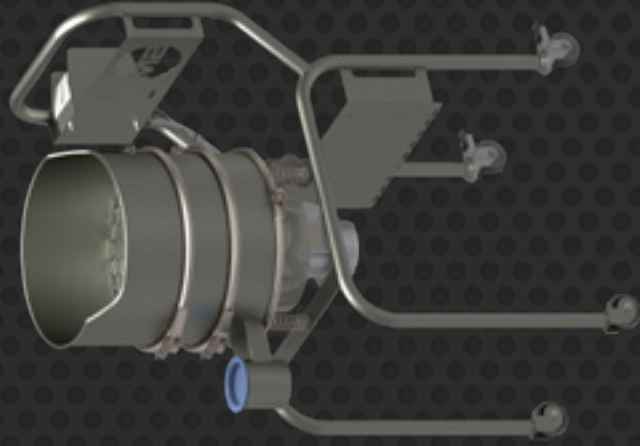
3

4

5

6

SM E-400-STV



B

C

D

DIMENSION (mm)	A	B	C	D
SM E-400-STV	735	840	1110	400

FOR UNDERSCREEN MAGNET, ADD 55 TO DIMENSION

ELECTRICAL

SM E-400

VOLTAGE 110-240 / 380-460

FREQUENCY 50 / 60 hz

POWER 3 Phase 0.17kW / 0.17kW
1 Phase 0.21kW / 0.23kW

PHASE 1 / 3

ATEX YES

1

2

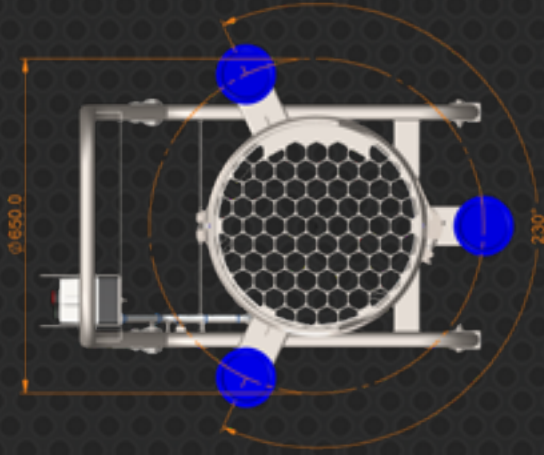
3

4

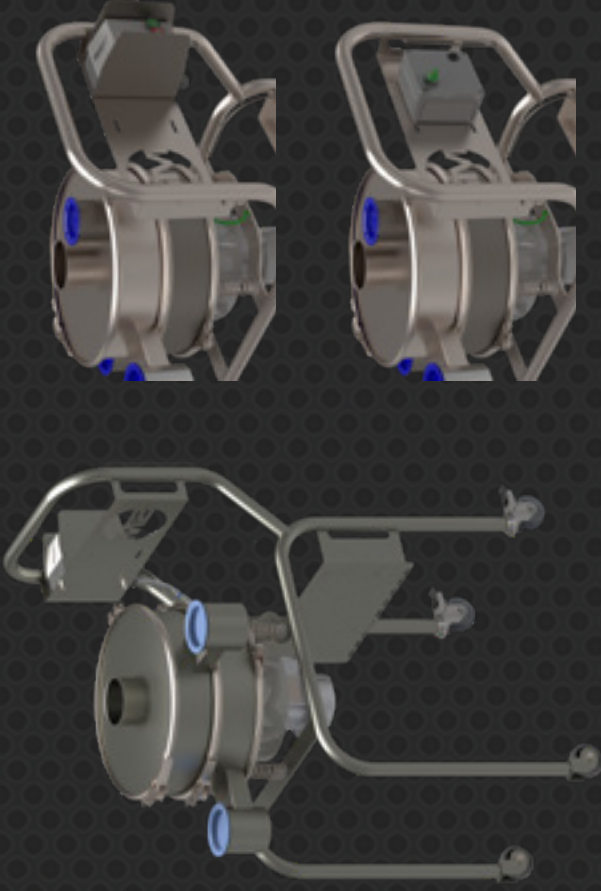
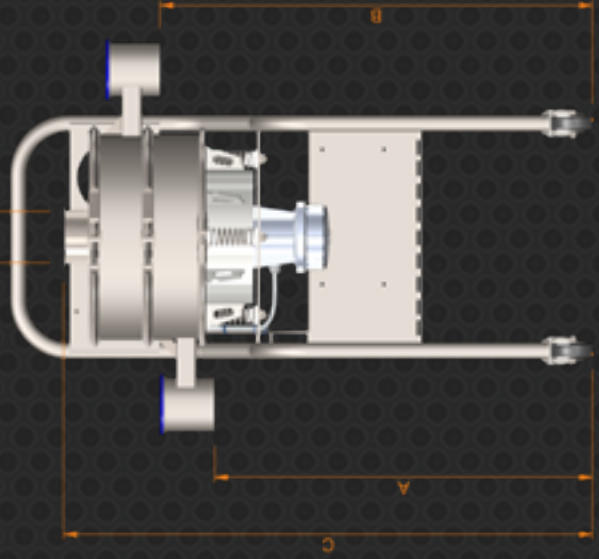
5

6

THIRD ANGLE PROJECTION



ØD.



A

B

C

D

SM E-400-GRV

DIMENSION (mm)	A	B	C	D
SM E-400-GRV	735	840	1028	100

FOR UNDERSCREEN MAGNET, ADD 55 TO DIMENSION

ELECTRICAL	SM E-400
VOLTAGE	110-240 / 380-450
FREQUENCY	50 / 60 hz
POWER	3 Phase 0.17kW / 0.17kW 1 Phase 0.21kW / 0.23kW
PHASE	1 / 3
ATEX	YES