

Product Specification

SM 700-ST

Heavy Duty Vibratory Sieve for Check Screening & Grading

The Sievmaster 700-ST uses powerful vibration to separate material on a continuous basis, and quick-change mesh screens mean minimum interruption between batches. The smooth, clean design means there are no exposed rotating parts, and a fully sealed drive system means it can be used in the most arduous environments. Ideal for areas where maximum usage is required and where high pressure hosing down might be normal. Fast, efficient sieving contained within a robust unit.



SM sievmaster
by farleygreene

INDUSTRIES



Food & Drink



Pharmaceutical



Chemical



Nutraceutical



Reclamation & Recycling



Additive Manufacturing

FEATURES

- Scroll system for maximum screening efficiency
- High speed version for fine powders
- Check sieving and grading under FIBC/IBC blender discharging systems
- Product sieving into sacks or containers
- Separates oversize from fine material continuously
- Constructed from FDA compliant materials
- No tool, quick change screens
- Easy clean design, no crevices
- Dust & hose proof IP67
- Noise level less than 70 dBA when in use

TYPICAL MATERIALS

- Spices
- Cosmetics
- Seeds
- Liquid separation
- Pharmaceutical powders
- Most powders/ granular products
- Flour
- Crystal sugar
- Starch
- Cocoa
- Wet or dry applications

PRODUCT OPTIONS

Machine configurations*

- ATEX upgrade



- Reduced height top gallery



- Extended height top gallery



- Enclosed top cover



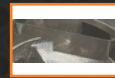
- Addition of underscreen magnet assy



- 304SS tubular handles to clamps



- Dwell control quarter scroll



- Dwell control full scroll



- Vision port



- Mesh deblinding - ultrasonic



- Safety interlock



- High speed motor



*More options available on request

Finishes available

- Dressing of all internal/external welds (with standard mirror polish)
- Pharmaceutical mirror polish <0.25Ra & dressing of all external welds
- Passivation after polish
- Viwateq/Sublimation finish
- Upgrade from earth clips to external direct mesh earthing system

CERTIFIED TECHNOLOGY



1

2

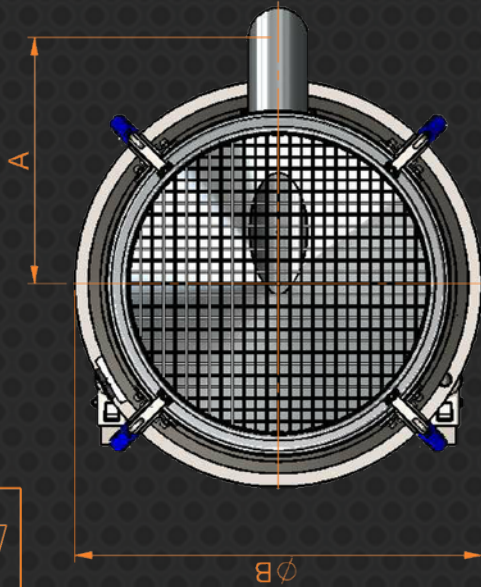
3

4

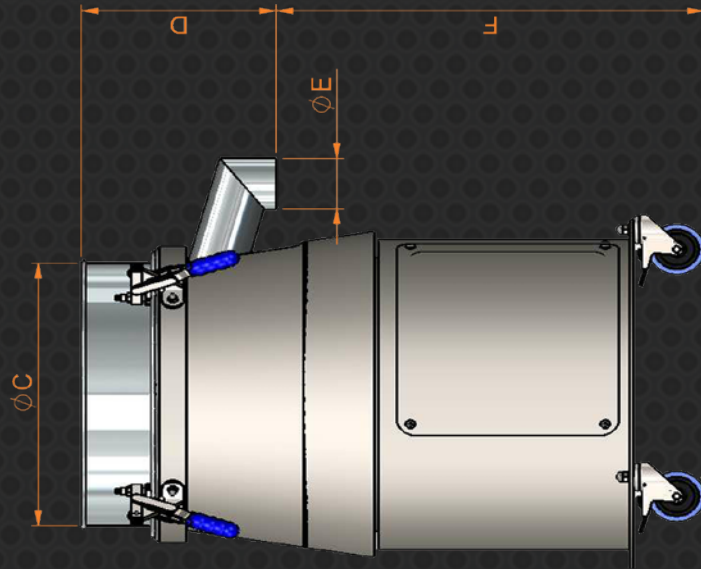
5

6

THIRD ANGLE PROJECTION



SM 700-ST



DIMENSION	SM700-ST (mm)
A	430
B	630
C	530
D	350*
E	100
F	770

SCREEN DIAMETER = 565mm
 ENCLOSED TOP & OVERSIZE OUTLET AVAILABLE (REFER TO SM650-FF DIRG)
 *FOR UNDERSCREEN MAGNET ASSY ADD 50mm TO 'D' DIM
 ALLOW min. 50mm FOR FLEXIBLE CONNECTIONS TO INLET/OUTLET

ELECTRICAL	SM700-ST
VOLTAGE	110 / 240 / 380-460
FREQUENCY	50 / 60 hz
POWER	0.55 kw
PHASE	1 / 3
ATEX	YES 

ALL DIMS. ARE APPROX. NOT TO BE USED FOR FINAL PLANNING. FULL DRAWINGS CAN BE SUPPLIED ON REQUEST. SUBJECT TO CHANGE AT ANY TIME.