

Specialists in Gravimetric Blending & Controls

**TSM**

# OPTIMIX-600 Series

Advanced Dosing Solutions



## Benefits

- High Accuracy Dispensing up to 0.01% of Batch
- Product Consistency
- Increased Regrind Usage
- Continuous Homogeneous Mixing
- Faster Product Changes

## User Interface

- Intuitive Simple Operator Functionality
- Comprehensive Report!/Alarm Management
- Built-in Trending & Data History Management
- Industry Standard Communication Protocols
- Material Usage / Inventory & Reports

## OPTIONS

- Extrusion Control
- Off-Line Blending
- Regrind Flow Assist Devices
- Flange Adaptors
- Integrated Material Handling

The **OPTIMIX-600 Series** Batch Blender can accommodate up to four material components while providing throughput rates up to 650 kg/hr. The range of blenders utilises the patented TSM slide valve design and the patented reverse-flight auger mixing technology. This combination provides superior accuracies, blend ratios and mixing homogeneity that is not achievable by competitive systems.

All components are blended by weight based on the preset blend ratios on the microprocessor controller. Each component is metered separately into a single weigh hopper, which measures and controls their rate.

# OPTIMIX-600 Series

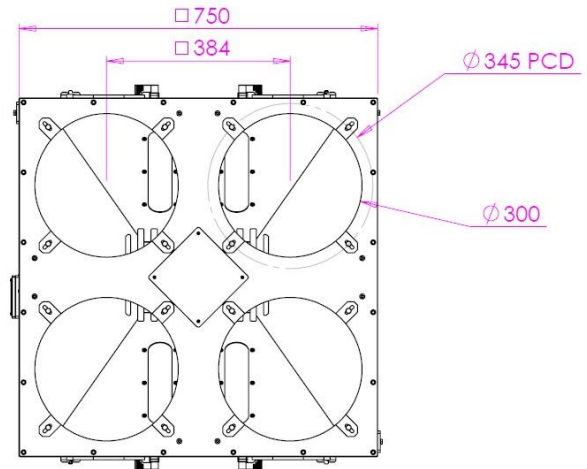
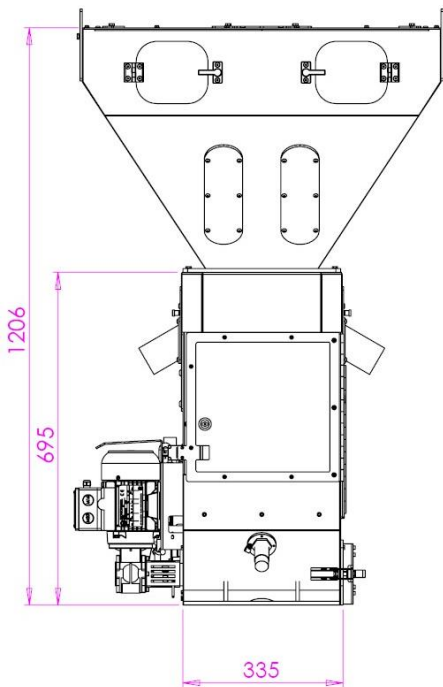
## Advanced Dosing Solutions

### Modular Construction:

BLENDER MODEL	STD. NO. OF	MAXIMUM COMPONENTS	STD. BATCH SIZE	STD. UNIT	EASY DRAIN	MAX. NO. OF SIDE FEEDERS	MAX MICRA-DOSE SIDE FEEDERS	MAX POWDER SIDE FEEDER (SEE NOTES)	MAX AUGER SIDE FEEDERS	LIQUID DOSING SIDE FEEDER	INTERNAL AUTO-CLEAN	AUTO-CLEAN	BIN BLOW DOWN	MATERIAL BYPASS AUTO-CLEAN	EASY-DRAIN	AUTO EASY-DRAIN
OPTIMIX-600	4	6	4.0kg	650 kg/hr	Yes	2	2	0	2	N/a	OPT	OPT	OPT	OPT	OPT	OPT

### Environmental:

Blender Weight	(kg / lb)	135 / 297
Max Ambient Operating Temp	(°C / °F)	50 / 122
Max Material Temp	(°C / °F)	70 / 158
Max Optional Material Temp	(°C / °F)	130 / 266
Mix Chamber Discharge Hole	(mm / ")	50 / 2.0



#### European Office

**TSM**  
Ard Easmuinn, Dundalk,  
Co. Louth, Ireland

**Tel:** +353-42-9335560  
**Fax:** +353-42-9334422

**General Info:**  
info@tsm-controls.com  
**Sales:**  
sales@tsm-controls.com  
**Support:**  
service@tsm-controls.com

#### North American Regional Office

**TSM Inc.**  
1505 Johnson Ferry Road  
Marietta, GA 30062, USA.

**Tel:** (770) 886-6630  
**Fax:** (770) 886-2395

**General Info:**  
info@us.tsm-controls.com  
**Sales:**  
sales@us.tsm-controls.com  
**Support:**  
service@us.tsm-controls.com

#### Asia-Pacific Regional Office

**TSM Taiwan**  
Siangshang Street,  
Taichung City, Taiwan

**Tel:** +886-4-24728185  
**Fax:** +886-4-24728180

**General Info:**  
info@tsm-controls.com.tw  
**Sales:**  
sales@tsm-controls.com.tw  
**Support:**  
service@tsm-controls.com.tw

#### China Regional Office

**TSM China**  
Huangpu Avenue (East), Huangpu  
District, Guangzhou City, China

**Tel:** +86-139-25062596

**General Info:**  
china@tsm-controls.com  
**Sales:**  
china@tsm-controls.com  
**Support:**  
china@tsm-controls.com