

Specialists in Gravimetric Blending & Controls

OPTIMIX-300 Series

Advanced Dosing Solutions

TSM



Benefits

- High Accuracy Dispensing up to 0.01% of Batch
- Product Consistency
- Increased Re grind Usage
- Continuous Homogeneous Mixing
- Faster Product Changes

User Interface

- Intuitive Simple Operator Functionality
- Comprehensive Report!/Alarm Management
- Built-in Trending & Data History Management
- Industry Standard Communication Protocols
- Material Usage / Inventory & Reports

OPTIONS

- Extrusion Control
- Off-Line Blending
- Re grind Flow Assist Devices
- Flange Adaptors
- Integrated Material Handling

The **OPTIMIX-300 Series** Batch Blender can accommodate up to four material components while providing throughput rates up to 350 kg/hr. The range of blenders utilises the patented TSM slide valve design and the patented reverse-flight auger mixing technology. This combination provides superior accuracies, blend ratios and mixing homogeneity that is not achievable by competitive systems.

All components are blended by weight based on the preset blend ratios on the microprocessor controller. Each component is metered separately into a single weigh hopper, which measures and controls their rate.

OPTIMIX-300 Series

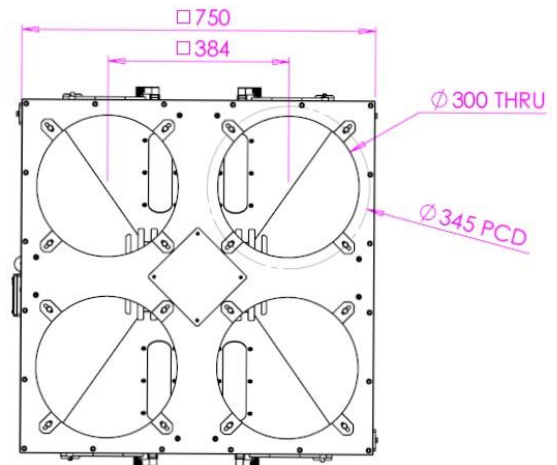
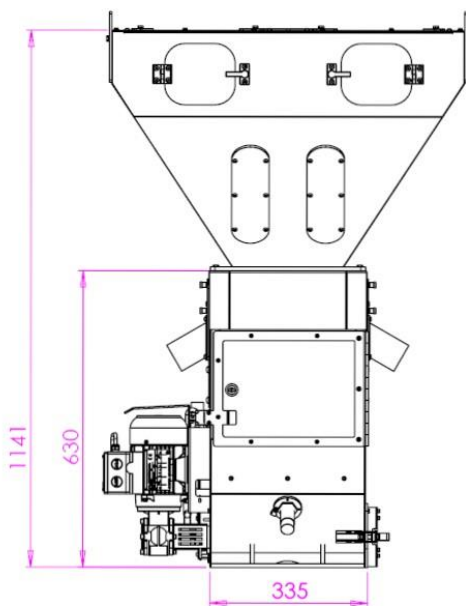
Advanced Dosing Solutions

Modular Construction:

BLENDER MODEL	STD. NO. OF	MAXIMUM COMPONENTS	STD. BATCH SIZE	STD. UNIT	EASY DRAIN	MAX. NO. OF SIDE FEEDERS	MAX MICRA-DOSE SIDE FEEDERS	MAX POWDER SIDE FEEDER (SEE NOTES)	MAX AUGER SIDE FEEDERS	LIQUID DOSING SIDE FEEDER	INTERNAL AUTO-CLEAN	BIN BLOW DOWN AUTO-CLEAN	MATERIAL BYPASS AUTO-CLEAN	EASY-DRAIN	AUTO EASY-DRAIN
OPTIMIX-300	4	6	2.0kg	350 kg/hr	Yes	2	2	0	2	N/a	OPT	OPT	OPT	OPT	OPT

Environmental:

Blender Weight	(kg / lb)	130 / 286
Max Ambient Operating Temp	(°C / °F)	50 / 122
Max Material Temp	(°C / °F)	70 / 158
Max Optional Material Temp	(°C / °F)	130 / 266
Mix Chamber Discharge Hole	(mm / ")	50 / 2.0



European Office

TSM
Ard Easmuinn, Dundalk,
Co. Louth, Ireland

Tel: +353-42-9335560
Fax: +353-42-9334422

General Info:
info@tsm-controls.com
Sales:
sales@tsm-controls.com
Support:
service@tsm-controls.com

North American Regional Office

TSM Inc.
1505 Johnson Ferry Road
Marietta, GA 30062, USA.

Tel: (770) 886-6630
Fax: (770) 886-2395

General Info:
info@us.tsm-controls.com
Sales:
sales@us.tsm-controls.com
Support:
service@us.tsm-controls.com

Asia-Pacific Regional Office

TSM Taiwan
Siangshang Street,
Taichung City, Taiwan

Tel: +886-4-24728185
Fax: +886-4-24728180

General Info:
info@tsm-controls.com.tw
Sales:
sales@tsm-controls.com.tw
Support:
service@tsm-controls.com.tw

China Regional Office

TSM China
Huangpu Avenue (East), Huangpu
District, Guangzhou City, China

Tel: +86-139-25062596

General Info:
china@tsm-controls.com
Sales:
china@tsm-controls.com
Support:
china@tsm-controls.com