

Specialists in Gravimetric Blending & Controls

# OPTIMIX 3000

Advanced Dosing Solutions

**TSM**



## Benefits

- Faster Product Changes
- Continuous Homogeneous Mixing
- Increased Regrind Usage
- Product Consistency
- High Accuracy Dispensing up to 0.01% of batch

## User Interface

- Intuitive Simple Operator Functionality
- Comprehensive Report/Alarm Management
- Built-in Trending & Data History Management
- Industry Standard Communication Protocols

## 300 OPTIONS

- Extrusion Control
- Powder Dosing
- Flange Adapters
- Offline Blending
- Automatic Cleaning
- Integrated Material Handling

**OPTI-MIX 3000** Batch Blender can accommodate up to twelve components while providing throughput rates up to 3000kg/hr (6,600lb/hr). OPTI-MIX 3000 utilizes TSM slide valve design and the patented reverse-flight auger mixing technology. This combination provides superior accuracies, blend ratios and mixing homogeneity that sets a new standard for the industry. All components are blended by weight, based on the preset blend ratios entered on the touch screen. Each component is metered separately into a single weigh hopper, which measures and controls their percentage.



Specialists in Gravimetric Blending & Controls

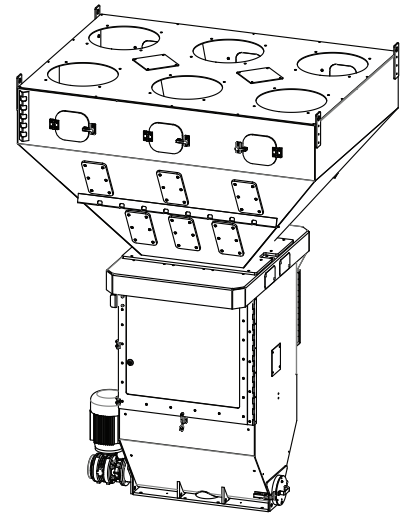
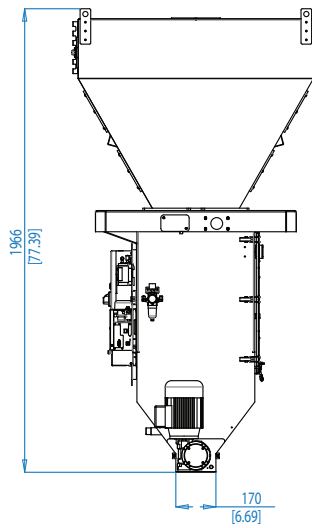
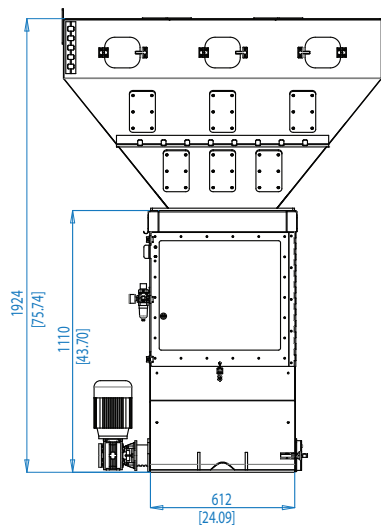
# OPTIMIX 3000

Advanced Dosing Solutions

BLENDER MODEL	STD. NO. OF COMPONENTS	MAXIMUM NO. OF COMPONENTS	STD. BATCH SIZE	STD. UNIT THROUGHPUT	EASY DRAIN	MAX. NO. OF SIDE FEEDERS	MAX. MICRA-DOSE SIDE FEEDERS	MAX. POWDER SIDE FEEDER (SEE NOTES)	MAX. AUGER SIDE FEEDERS	LIQUID DOSING SIDE FEEDER	INTERNAL AUTO-CLEAN	BIN BLOW DOWN AUTO-CLEAN	MATERIAL BYPASS AUTO-CLEAN	AUTO. EASY-DRAIN
OPTI-MIX 3000 8C	8	12	25kg	6600 lb/hr / 3000 kg/hr	No	4	4	2	4	Opt	Opt	Opt	Opt	N/A
OPTI-MIX 3000 6C	6	10	25kg	6600 lb/hr / 3000 kg/hr	No	4	4	2	4	Opt	Opt	Opt	Opt	N/A

## Environmental

Blender Weight	(kg / lb)	225 / 495
Max Material Temp	(°C / °F)	70 / 158
Max Optional Material Temp	(°C / °F)	130 / 266
Mix Chamber Discharge Hole	(mm)	102 / 4



### European Office

**TSM**  
Ard Easmuinn, Dundalk,  
Co. Louth, Ireland.

**Tel:** +353-42-9335560  
**Fax:** +353-42-9334422

**General Info:**  
info@tsm-controls.com  
**Sales:**  
sales@tsm-controls.com  
**Support:**  
service@tsm-controls.com

### North America Regional Office

**TSM Inc.**  
1505 Johnson Ferry Road, Suite 125  
Marietta, GA 30062, USA

1404 Joliet Road, Suite B  
Romeoville, IL 60446, USA

**Tel:** (770)886-6630  
**Fax:** (770)886-2395  
  
info@us.tsm-controls.com  
sales@us.tsm-controls.com  
service@us.tsm-controls.com

### Asia-Pacific Regional Office

**TSM Taiwan**  
Siangshang Street  
Taichung City, Taiwan,

**Tel:** +886-4-24728185  
**Fax:** +886-4-24728180

**General Info:**  
info@tsm-controls.com.tw  
**Sales:**  
sales@tsm-controls.com.tw  
**Support:**  
service@tsm-controls.com.tw

### China Regional Office

**TSM China**  
Office Tower, China Hotel  
122 Lihua Road, Guangzhou, China

**Tel:** +86-20-86266016  
**Fax:** +86-20-86266015

**General Info:**  
china@tsm-controls.com  
**Sales:**  
china@tsm-controls.com  
**Support:**  
china@tsm-controls.com