

Specialists in Gravimetric Blending & Controls

OPTIBLEND

Multi Component
Continuous LIW Blending



TSM's OPTI-BLEND range of Continuous blending solutions offer total reliability, precision and process control options ensuring material homogeneity and guaranteeing consistent product quality. They provide continuous gravimetric and throughput control of up to seven components. The OPTI-BLEND controls the blend percentages and can also maintain the extruder throughput at a desired level, i.e. kg/hr control.

Haul off speed measurement can be added to ensure that the weight per length is controlled to the desired specification (yield control). This ensures that the product being produced is maintained at the desired thickness without operator intervention. This mode can be extended to weight per area control through entry, or automatic measurement of material.

The TSM OPTI-BLEND provides a "dosing" solution to gravimetric blending and extrusion control for up to 7 components. The primary component is gravity fed directly to the extruder throat and the secondary (side fed materials) maintain recipe ratio via auger feeds.

TSM

Benefits

- No Material Separation or De-mixing
- Product Consistency
- High Accuracy Dosing up to 0.01%
- Reduce Scrap from Off-Spec Products
- Starve-fed or Flood-fed Applications
- Gravity Fed Main Component allows Recipe Changes "On the Fly"
- Easily Removable, Easy Clean, augers

User Interface

- Intuitive Simple Operator Functionality
- Comprehensive Report/Alarm Management
- Built-in Accuracy Trending & Data History Management
- Industry Standard Communication Protocols
- Material Usage/Inventory Statistics & Reports

Options

- 1 – 7 Dosing Stations
- Extruder Kg/Hr Control
- Weight per Length Control
- Offline Blending
- Micro-Dosing



Specialists in Gravimetric Blending & Controls

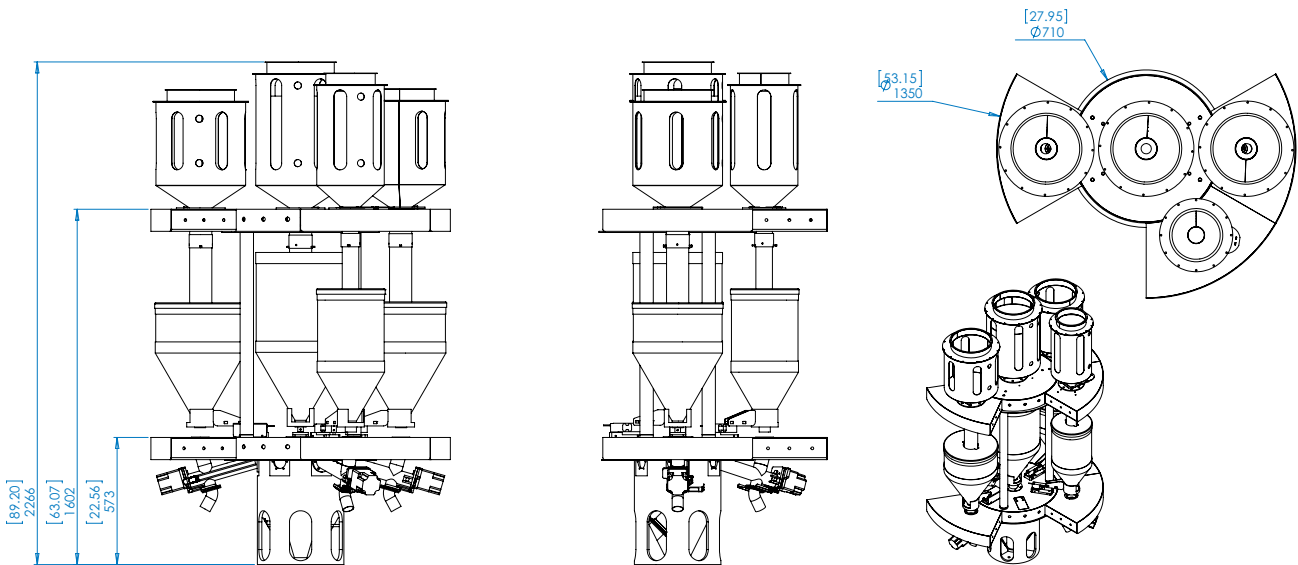
OPTIBLEND

Multi Component Continuous LIW Blending

OPTI-BLEND RANGE	THROUGHPUT
OPTI-BLEND 400	400 kg (880 lbs) / hour
OPTI-BLEND 1000	1000 kg (2200 lbs) / hour
OPTI-BLEND 1800	1800 kg (3960 lbs) / hour

Environmental

Blender Weight	(kg / lb)	250 / 550
Max Ambient Operating Temp	(°C / °F)	50 / 122
Max Material Temp	(°C / °F)	70 / 158
* Max Optional Material Temp	(°C / °F)	130 / 266



European Office

TSM

Ard Easmuinn, Dundalk,
Co. Louth, Ireland.

Tel: +353-42-9335560

Fax: +353-42-9334422

General Info:

Info@tsm-controls.com

Sales:

sales@tsm-controls.com

Support:

service@tsm-controls.com

North America Regional Office

TSM Inc.

5950-L Shiloh Road East,
Alpharetta, GA 30005, USA.

Tel: (770)886-6630

Fax: (770)886-2395

General Info:

Info@us.tsm-controls.com

Sales:

sales@us.tsm-controls.com

Support:

service@us.tsm-controls.com

Asia-Pacific Regional Office

TSM Taiwan

Siangshang Street
Taichung City, Taiwan,

Tel: +886-4-24728185

Fax: +886-4-24728180

General Info:

info@tsm-controls.com.tw

Sales:

sales@tsm-controls.com.tw

Support:

service@tsm-controls.com.tw

China Regional Office

TSM China

Office Tower, China Hotel
122 Liuhua Road, Guangzhou, China

Tel: +86-20-86266016

Fax: +86-20-86266015

General Info:

china@tsm-controls.com

Sales:

china@tsm-controls.com

Support:

china@tsm-controls.com