

Brabender RotoTube Micro Feeder RT

The Brabender RotoTube Micro Feeder RT from the "Brabender Lab Line" is capable of reliably and accurately metering pellets and granular ingredients with temperatures from 0 to 45°C (32-113°F) at rates of a few grams per hour.

The feeder has the following main components: a rotary tube made of stainless steel, a brushless DC motor with an integrated speed controller and an extension hopper for ingredient storage. Extension hoppers are available with 1.5 dm³ (0.05 ft³) or 3.0 dm³ (0.11 ft³) volume.

If more coarse-grained ingredients, in particular pellets are fed, individual pellets can be dispensed one after the other. Hence the feeder is particularly suitable for laboratory operation.

To help adjust the feed rate, the RotoTube feeder is equipped with an infinitely variable

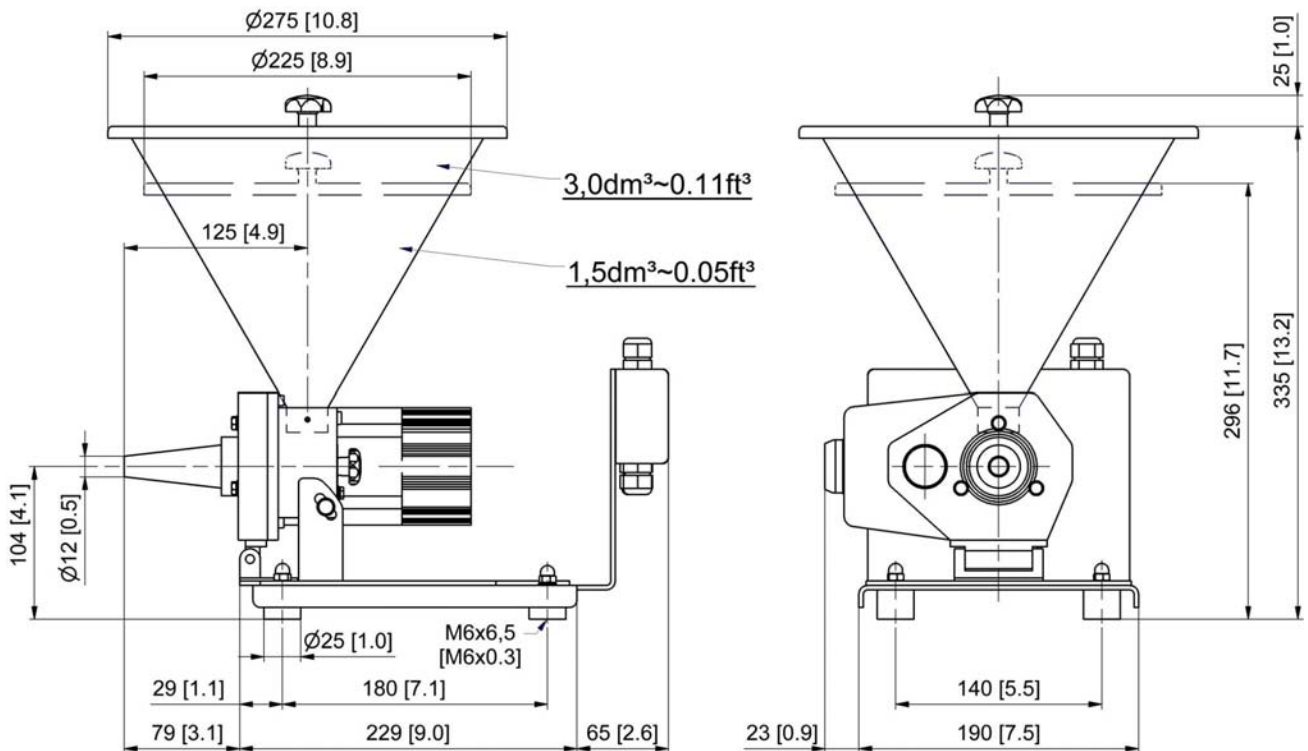
tilting system to incline the rotary tube.

Options include a scale to allow gravimetric loss-in-weight feeding.

Ingredient contact steel parts are made of stainless steel. Mild steel parts are painted light grey (RAL 7035).

Environmental conditions: 0-45°C (32-113°F), up to 85% humidity without condensation.

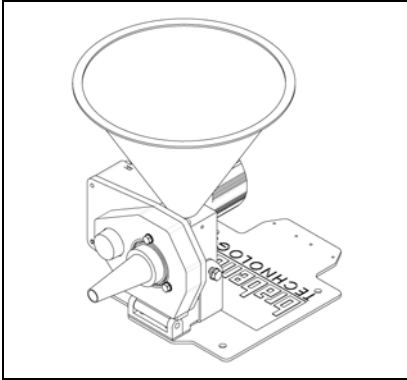
The feeder conforms to CE directives.



Weight with 1.5 dm³/0.05 ft³ extension hopper approx. 5.5 kg (12.1 lb)

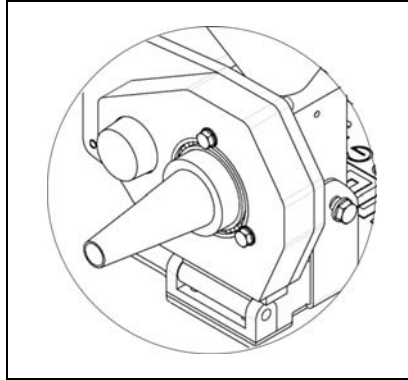
Weight with 3.0 dm³/0.11 ft³ extension hopper approx. 6.5 kg (14.3 lb)

Technical Data



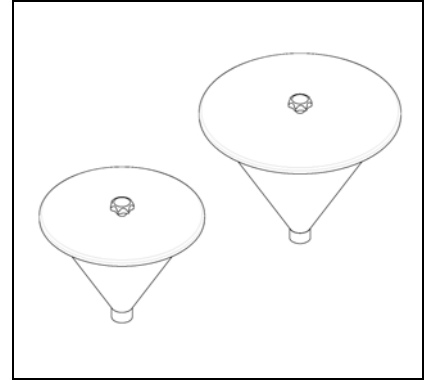
RotoTube Micro Feeder

- Laboratory sized rotary tube feeder
- Stainless steel housing
- Rotary tube feed module
- Ingredient contact surfaces are stainless steel SS 1.4301 (304)



Rotary Tube Feed Module

- Miniature rotary tube feed module
- Brushless DC motor (0.05 kW, 230 V, IP65, with integrated speed controller, tube speed max. 67 rpm)
- Tube tilting system for manual feed rate adjustment
- Ingredient contact surfaces are stainless steel SS 1.4301 (304)



Extension Hoppers

- Extension hoppers
 - 1.5 dm³ (0.05 ft³), steep sided
 - 3.0 dm³ (0.11 ft³), steep sided
- Lift off cover
- Stainless steel SS 1.4301 (304)

Accessories

Options

- Gravimetric loss-in-weight feeder with scale MD0 (see separate Works Standards)
- Designs for higher or lower ingredient and/or ambient temperatures (standard = 0-45°C ≈ 32-113°F each)

Speed Control

- Speed control available via
- potentiometer or
 - 4-20 mA input



Modifications reserved. All data describe our products in a general manner. They are no agreement on or warranty of characteristics in the sense of § 434 or guarantee in the sense of § 443 of the German Civil Code or similar regulations and effect no liability.

Issue 8.0 (August 13)
Supersedes none