

## Brabender FlexWall® Feeder FW20

The Brabender FW20 FlexWall® feeder is capable of reliably and accurately metering bulk ingredients with temperatures from 0 to 45°C (32-113°F) at low feed rates.

The feeder has the following main components: a stainless steel exterior housing, a flexible polyurethane hopper with external massage paddles, a feed screw, a feed screw tube, a brushless DC motor with integrated speed controller and an extension hopper for ingredient storage. Extension hoppers are available with 5 dm<sup>3</sup> (0.18 ft<sup>3</sup>) or 10 dm<sup>3</sup> (0.35 ft<sup>3</sup>) volume.

The motor driven (amplitude adjustable) paddles flex the polyurethane hopper walls to provide consistent mass flow of ingredient into the screw without the degradation of a stirring agitator.

The Brabender FlexWall® feeder is easily disassembled without tools for wet or dry cleaning.

The screw tube is held in place by a quick clamp, the molded polyurethane hopper fits easily on the

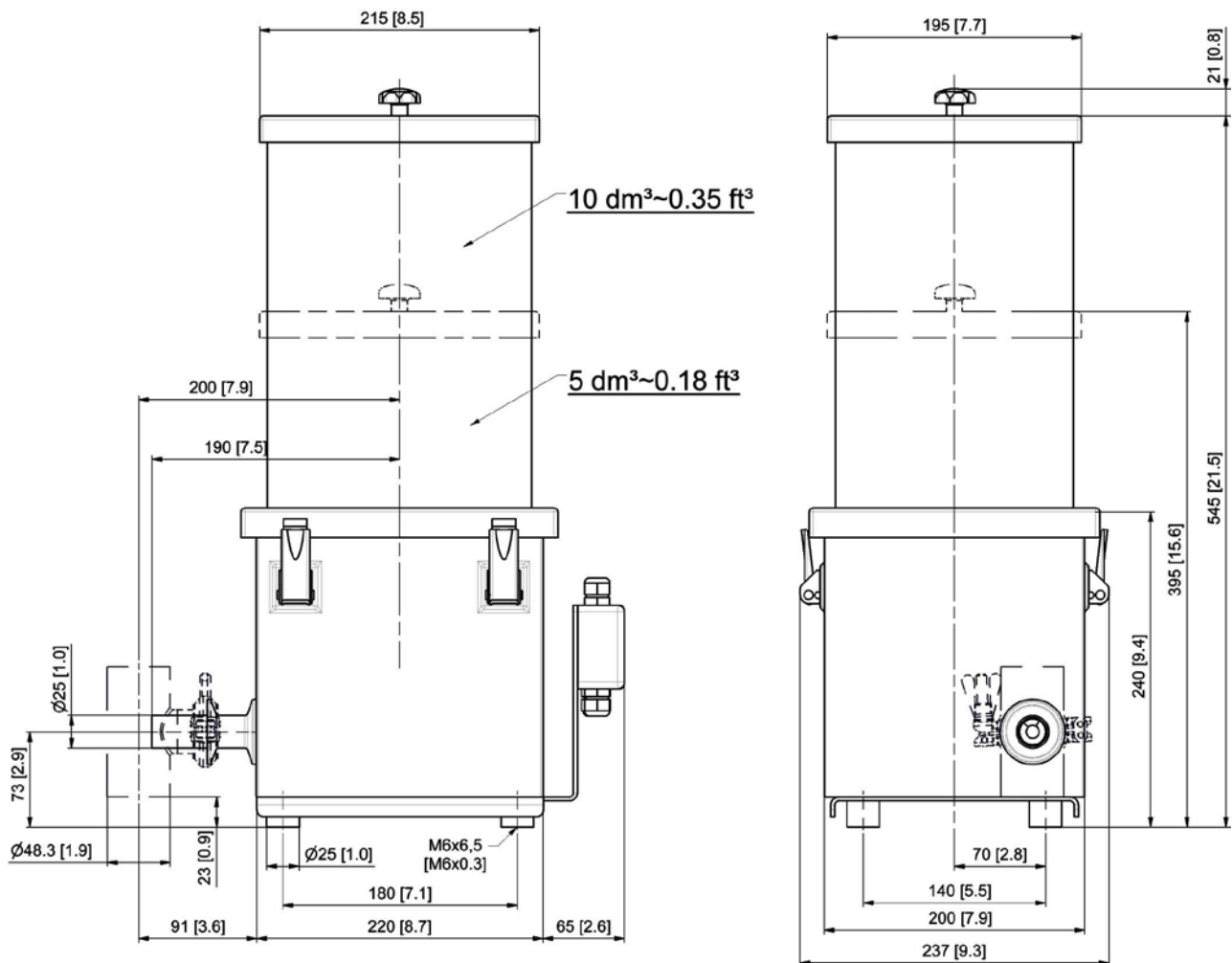
housing which is secured by latches allowing it to be lifted off for full access to all internal components.

Options include scales to allow gravimetric loss-in-weight feeding, interchangeable screws and a downspout on the feeder outlet.

Ingredient contact surfaces are polyurethane or stainless steel. Mild steel parts are painted light grey (RAL 7035).

Environmental conditions: 0-45°C (32-113°F), up to 85% humidity without condensation.

The feeder conforms to CE directives.



Weight with 5 dm<sup>3</sup>/0.18 ft<sup>3</sup> extension hopper approx. 14.5 kg (32.0 lb)

Weight with 10 dm<sup>3</sup>/0.35 ft<sup>3</sup> extension hopper approx. 16.0 kg (35.3 lb)

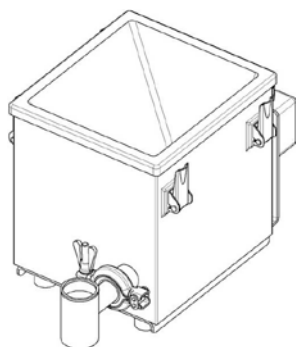
Dimensions in mm (in)

## Technical Data

### Available screw sizes and feed rates

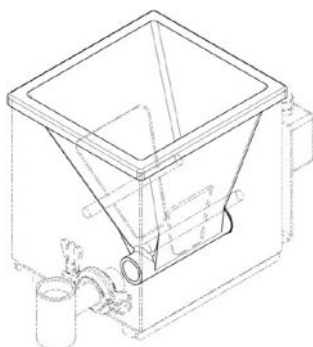
Screw Type	Ø (mm) x p (mm)	Tube designation	Tube dia. (mm)	Max. speed (rpm)	Max. feed rate (dm³/hr)*	Max. feed rate (ft³/hr)*
<b>Spiral Screw (S)</b>	S 9/ 7	120	15.0 x 1.5	200 / 50Hz	5	0.17
	S 13/10	160	20.0 x 2.0	200 / 50Hz	12	0.44
	S 13/15	160	20.0 x 2.0	200 / 50Hz	20	0.71
	S 20/15	220	25.0 x 1.5	200 / 50Hz	42	1.47
	S 20/19	220	25.0 x 1.5	200 / 50Hz	56	1.99
	S 20/24	220	25.0 x 1.5	200 / 50Hz	75	2.63
<b>Pellet Screw (S)</b>	S 9/ 7	160	20.0 x 2.0	200 / 50Hz	10	0.34
	S 13/10	220	25.0 x 1.5	200 / 50Hz	24	0.84
	S 13/15	220	25.0 x 1.5	200 / 50Hz	38	1.35

\* Theoretical values at 100% screw filling level and motor speed. Depending on the flow characteristics the screw filling level may decrease to 50%.



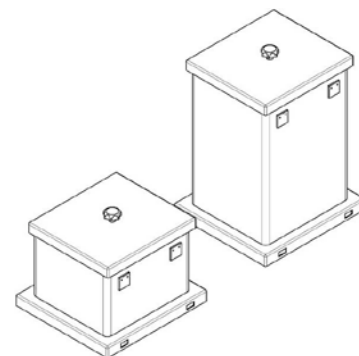
FW20 FlexWall® Feeder

- Stainless steel housing
- Interchangeable screws
- Paddle-massaged flexible polyurethane hopper
- Brushless DC motor (0.05 kW, 230 V, IP65, with integrated speed controller, screw speed max. 200 rpm)
- Ingredient contact surfaces are polyurethane and stainless steel SS 1.4301 (304)



Flexible Hopper

- Polyurethane (white)
- Food grade in compliance with the German Foodstuff and Consumer Goods Act (LMBG) or FDA
- Optional anti-static or chemically resistant hoppers available



Extension Hoppers

- Extension hoppers
  - 5 dm³ (0.18 ft³), straight walled
  - 10 dm³ (0.35 ft³), straight walled
- Cover with inlet pipe and vent pipe for automatic refill, or
- Lift off cover with handle for manual refill
- Stainless steel SS 1.4301 (304)

### Accessories

- Vertical downspout on the screw tube outlet
- Flexible connections
- Exchange screws and screw tubes
- Anti-static or chemically resistant flexible hoppers

### Options

- Gravimetric loss-in-weight feeder with scale MD1 or MD2 (see separate Works Standards)
- Designs for higher or lower ingredient and/or ambient temperatures

### Speed Control

- Speed control available via
- potentiometer or
  - 4-20 mA input



Modifications reserved. All data describe our products in a general manner. They are no agreement on or warranty of characteristics in the sense of § 434 or guarantee in the sense of § 443 of the German Civil Code or similar regulations and effect no liability.

Issue 4.0 (April 16)  
Supersedes 8.0 (August 13)