



BT25 **STRAND PELLETIZER**

The BPM Series Pelletizer was developed and engineered for the laboratory and small production runs. Based on the proven design of our larger production machines, this lab pelletizer has many of the features found only in production units. From glass filled engineered resins to soft rubber like polymers, these work horses are tough enough to get the job done.

The compact units offer the same benefits found in our larger pelletizers such as:

- Complete access for visual inspection and cleanliness
- Optimum strand control due to a larger offset upper feedroll
- Tool-less entry to the cutting chamber
- Easily removable rotor and upper feedroll
- Maintenance free bearings
- Positive strand feed to the cutter
- Safety interlock

The BPM Bench Top model BT 25 can manage four, 3mm diameter strands of olefins and two 3mm diameter strands of engineered resins. Standard line speeds of 6 to 24m/min can be achieved. For more demanding applications we offer a High-Speed option to achieve a line speed of 12 to 48m/min. For those applications requiring lower line speed, a low speed version from 1 to 12m/min is available.

Equipped with independent drives for the feedroll and rotor, this machine can change pellet sizes on demand. With so many features packed in a compact pelletizer, this unit will compliment any lab or small production facility.

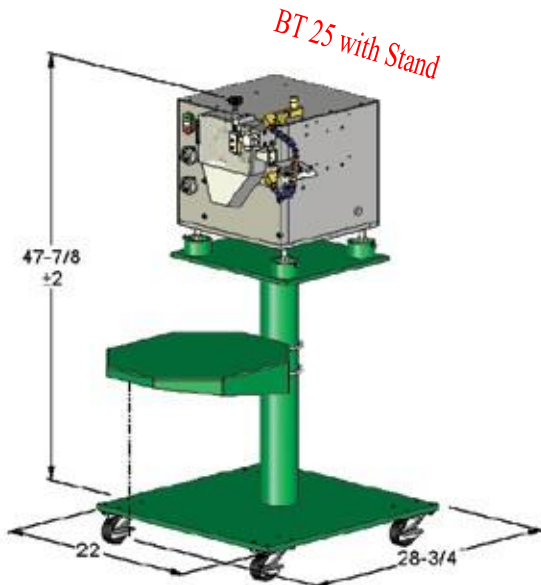
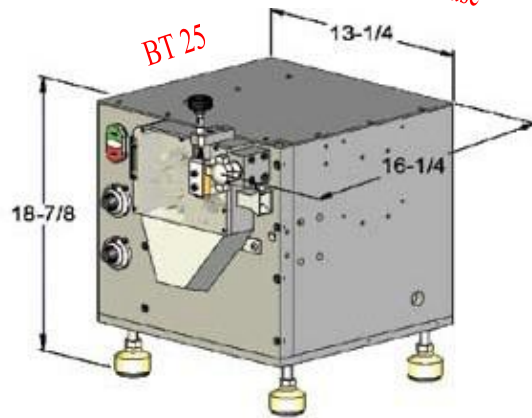
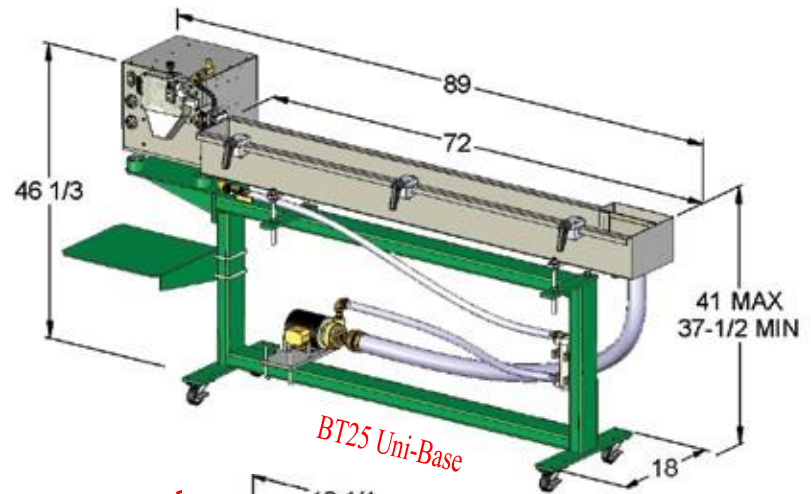
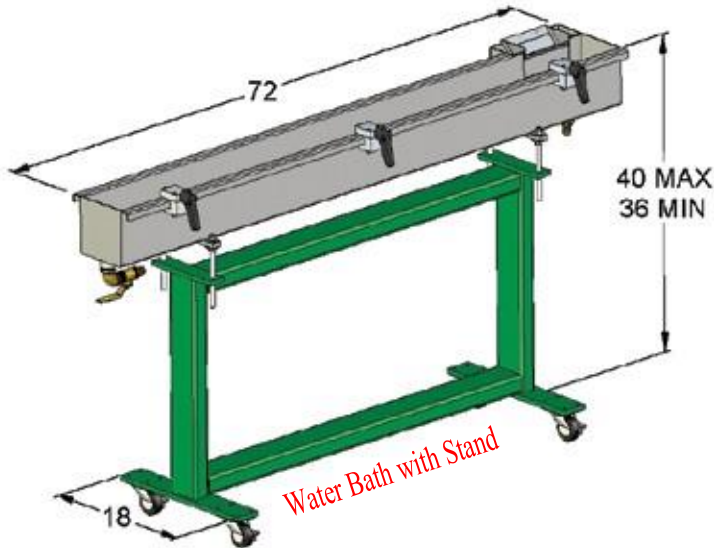
Other options include:

- Carbide Tipped Rotor
- Water Bath
- Support Stand
- Air Knife
- Water Recirculation System

A Uni-Base option is a complete pelletizing system perfectly suited for small runs. With the Uni-Base system design, the pelletizer is mounted on a base consisting of a 2 meter long water bath and air knife. The air knife comes equipped with flow control, guard and drip tray.



Technical Data:



Available Options:

- 12 tooth carbide rotor
- AC variable frequency drive
- 200 or 400 volt AC drives
- Higher speed version
- Pharmaceutical version
- Explosion proof packages

Specifications and design subject to change without notification

Pelletizer Model BT 25		
Working Width	1.0 inch	25mm
Strand Rating (1)	2-4	2-4
Std. Strand Velocity	20-78 fpm	6-24 m/min
Std. Rate per Strand (2)	25 lb/hr	11 kg/hr
Optional Strand Velocity	40-155 fpm	12-48 m/min
Opt. Rate per Strand (2)	50 lb/hr	22 kg/hr
Motor Size (Rotor)	3/4 hp	0.55 kW
Motor Size (Feedroll)	1/17 hp	0.04 kW
Max. Rotor Speed	800 RPM	
Voltage	110 volts Single Phase	
Type of Drives	DC	
Amp Draw (FLA)	12.9 Amp	1.4 kW
Std. No. of cutting edges Rotor	12	
No. of cutting edges Bed Knife	8	
Opt. No. of cutting edges Rotor	2, 4, 6, 24, or 36	
(1) Up to four strands of Olefins, Up to two strands of engineered resins		
(2) Based on 3mm strand diameter, 3mm long pellets, and material with specific gravity of 1.0		



BAY PLASTICS MACHINERY

3494 N. EUCLID AVE, BAY CITY, MI 48706
 EMAIL: sales@bayplasticsmachinery.com

PHONE: (989) 671-9630
 or visit: BAYPLASTICSMACHINERY.COM